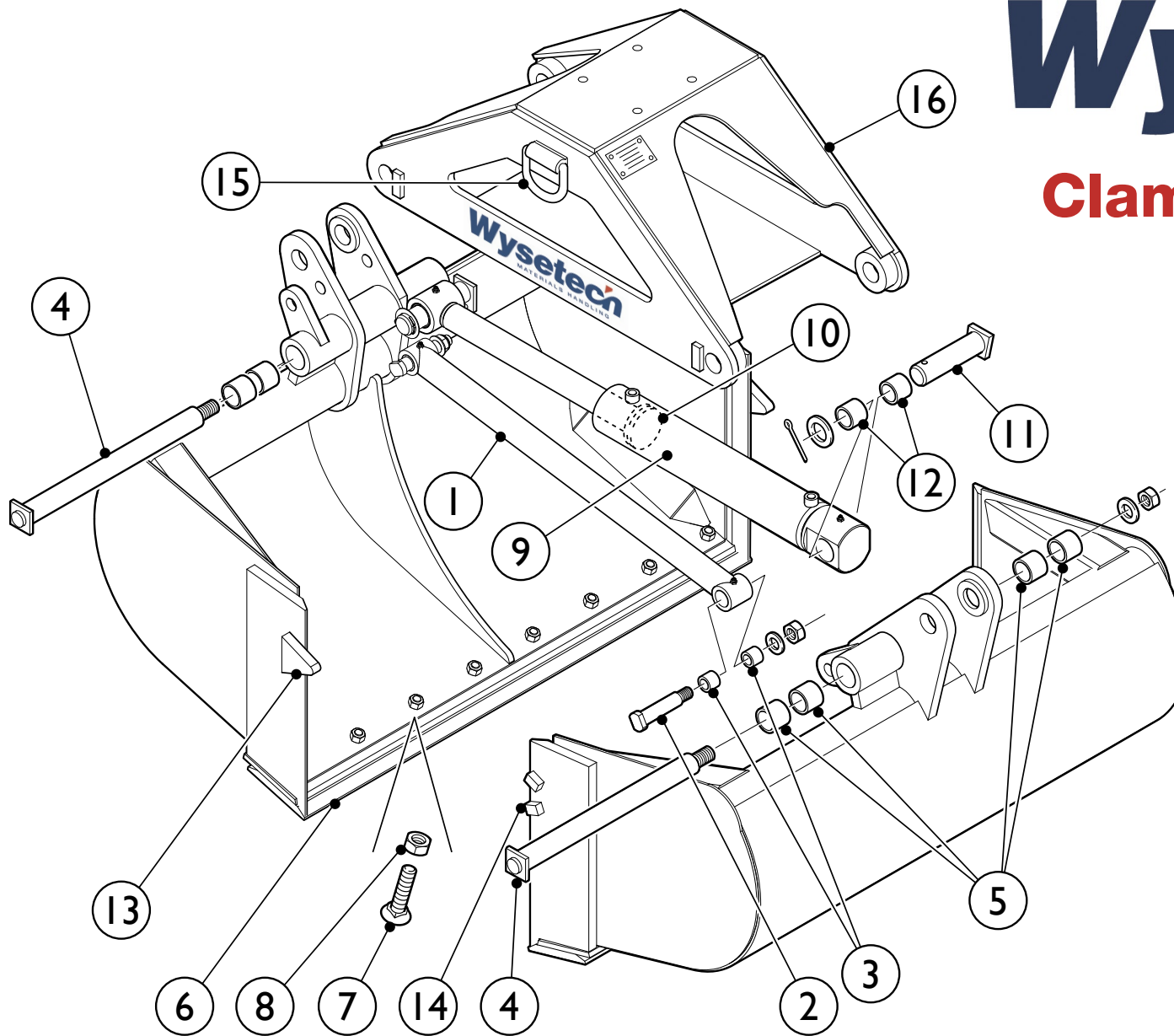


Clamshell Grab Bucket



Spare Parts Identification

Item	Part No.	Description
1	W205061	Tie bar Assembly
2	W205062	Tie bar pin
3	W205063	Tie bar bush
4	W205064	Pivot pin
5	W205065	Pivot pin bush
6	W205066	Cutting edge
7	W205067	Plow bolt
8	W205068	Plow nut
9	W205069	Hydraulic ram
10	W205070	Seal kit
11	W205071	Ram pin
12	W205072	Ram pin bush
13	W205073	Alignment plug
14	W205074	Alignment block
15	W205075	Lashing ring
16	W205076	Hanging frame

For bucket sales and spares call Wysetech on **01753 855619**

Wysetech Limited. 42 The Arches, Alma Road, Windsor, Berkshire. SL4 1QZ. United Kingdom.

telephone: +44 (0) 1753 855619 fax: +44 (0) 5601 257438 email: info@wysetech.co.uk web: www.wysetech.co.uk