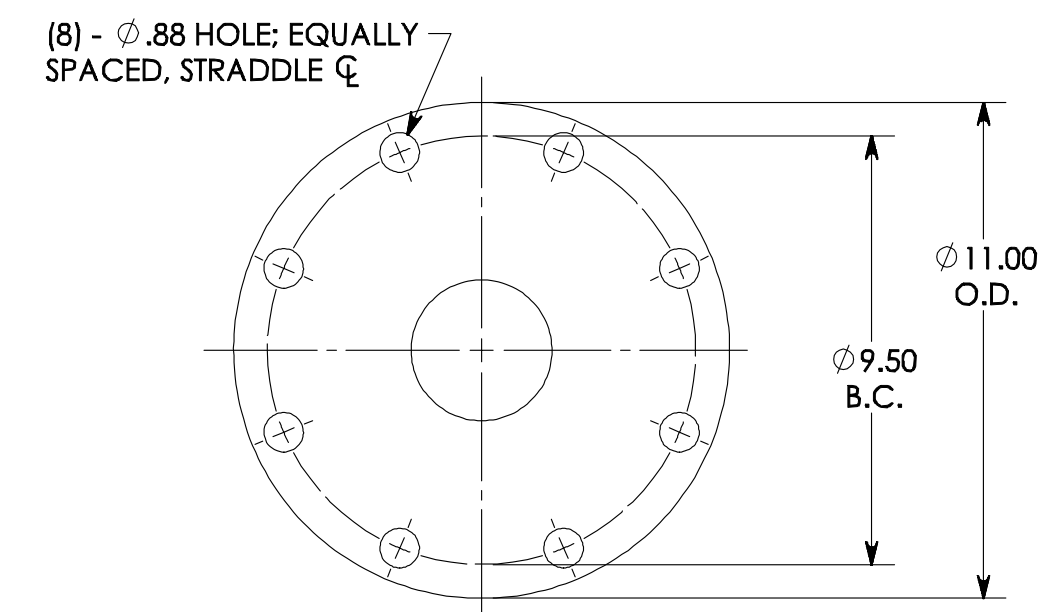
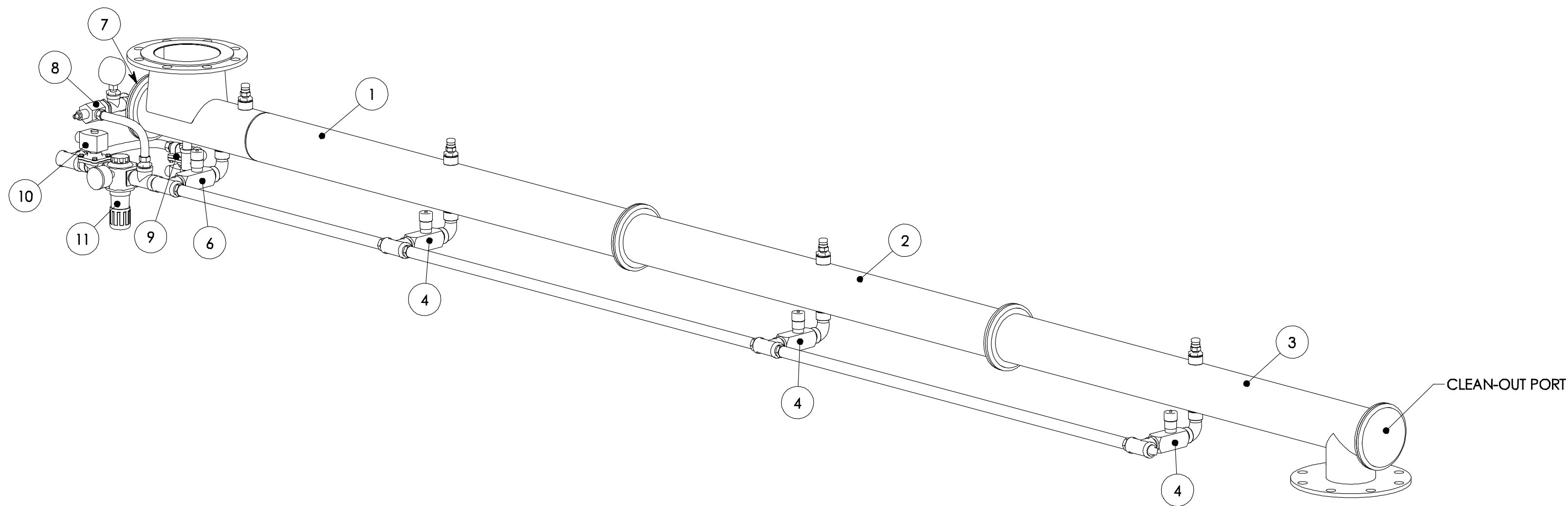
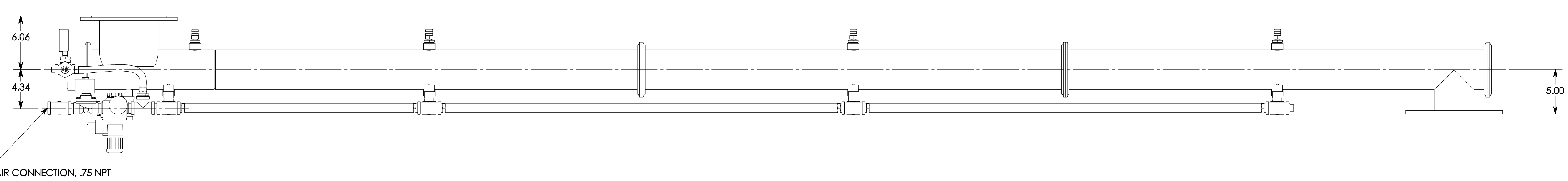
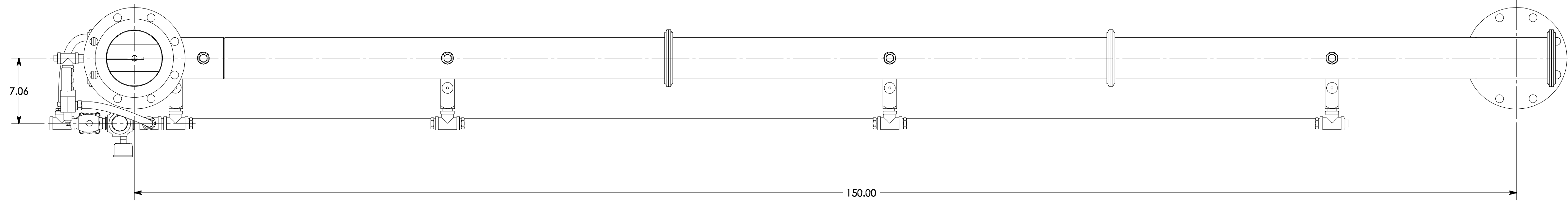


ITEM NO.	QTY.	PART NO.
1	1	Stinger inlet, size 6X3 - weldment (15418)
2	1	Stinger section, size 3, with self-aligning flanges
3	1	Stinger discharge - weldment (15418)
4	3	Rego flow valve assembly, size 3 - straight section - test point
5	1	Lump breaker assembly (des164)
6	1	Rego flow valve assembly (15418)
7	1	Flow nozzle end cap (15418)
8	1	Flow nozzle assembly (15418)
9	1	Solenoid valve, ASCO, .50 NPT, 2-way, NC, #EF8210G94
10	1	Solenoid valve, ASCO, .75 NPT, 2-way, NC, #EF8210G95
11	1	Regulator, Norgren, series R74, .75 NPT with gauge



DETAIL: INLET & OUTLET FLANGE
SCALE 1:4

REV. NO.	DESCRIPTION	DATE	BY
3			
2			
1	CHANGED SOLENOID VALVES TO EXPLOSION PROOF	12/07/04	AEB

REVISIONS	
CUSTOMER	ROQUETTE, AMERICA, INC.
CUST. NO.	4500053759
YOUNG ORDER NO.	15418
TITLE	ASSEMBLY: STINGER, SIZE 6X3, HORIZONTAL, MODULAR, WITH END CLEAN-OUT PORTS

THE YOUNG INDUSTRIES, INC.
MUNICIPALITY, PENNSYLVANIA 17756
TELEPHONE: 570-544-3165

Drawn By	AEB	SCALE	5:32
CHECKED BY		DATE	11/01/04
DRAWING NUMBER	D-20230-00.01		

GENERAL TOLERANCES	
UNLESS OTHERWISE SPECIFIED THE FOLLOWING SHALL APPLY	
MACHINING	.10"-.02 .000"-.005 ANGLE .50°
SURFACE ROUGHNESS	HEIGHT 63 MICRONS OR LESS
FABRICATION	UNDER 6 6 TO 24 .24 TO 60 OVER 60
	±.06 ±.12 ±.19 ±.25
UNLESS OTHERWISE SPECIFIED DIMENSIONS ARE IN INCHES	