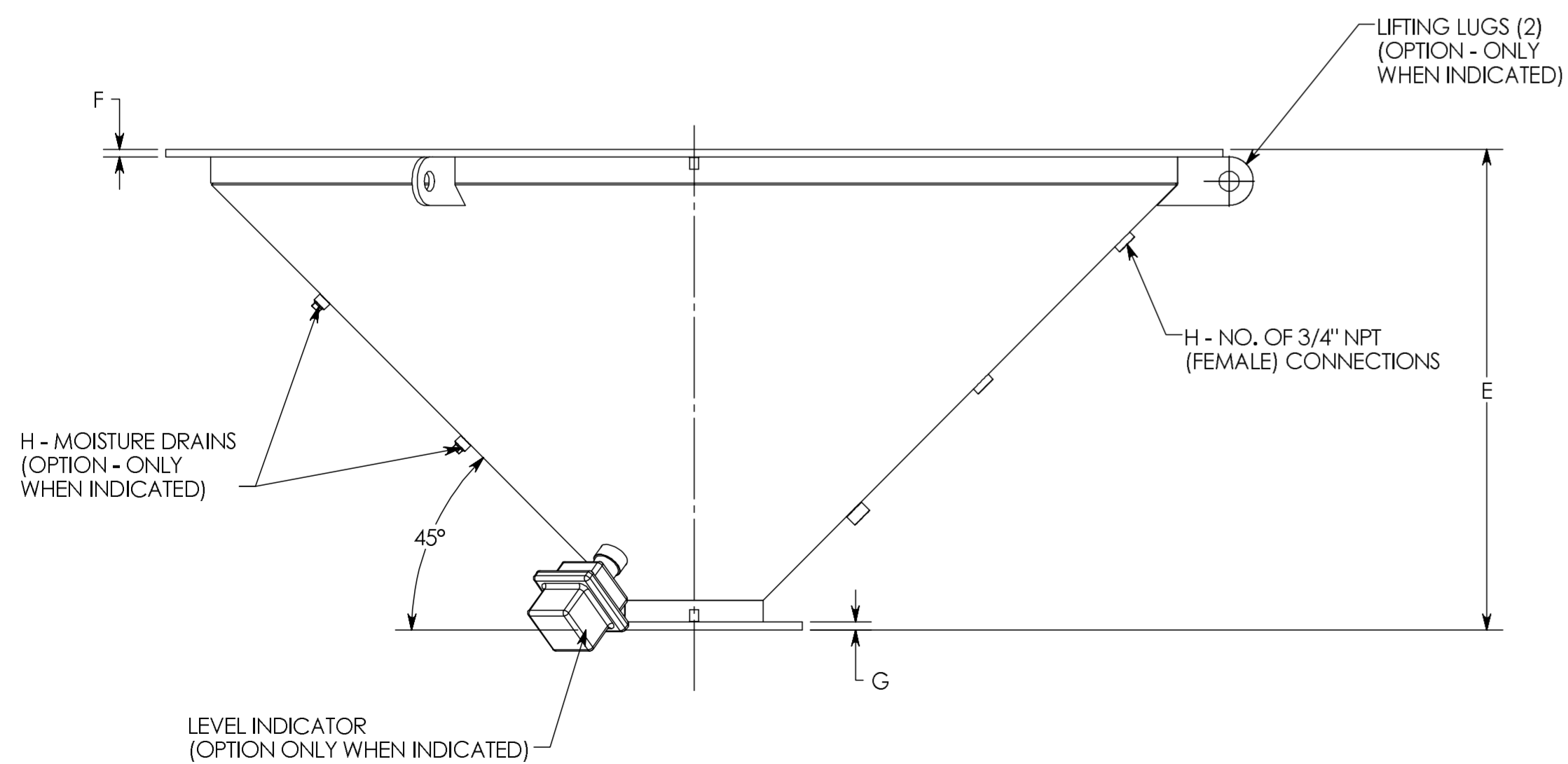


NOTES:

1. MATERIAL OF CONSTRUCTION, GENERAL: 304 S/S
TRANSFLOW FLUIDIZING MEDIA 316 S/S.
2. WELDING, GRINDING AND CLEANUP PER Y.I. ENGINEERING SPECIFICATIONS 185.200 AS FOLLOWS:
WELDING-----CLASS 2
GRINDING, INTERIOR-----CLASS 2
GRINDING, EXTERIOR-----CLASS 2
CLEANUP, INTERIOR-----CLASS 2
CLEANUP, EXTERIOR-----CLASS 2
3. ALL DIMENSIONS IN INCHES.
4. OPTIONS AVAILABLE ONLY WHEN INDICATED
INCLUDE: LEVEL INDICATOR, LIFTING LUGS,
MOISTURE DRAINS



A	B	C	D	E	F	G	H	I	J	K	L	M
18.00	20.25	22.00	(12) .50	10.50	0.50	0.25	1	(8) .75	4.00	3.25	9.00	7.50
24.00	26.25	28.00	(16) .50	12.50	0.50	0.38	1	(8) .88	6.00	5.25	11.00	9.50
36.00	39.50	42.00	(24) .62	18.50	0.50	0.38	2	(8) .88	6.00	5.25	11.00	9.50
48.00	51.50	54.00	(36) .62	24.00	0.50	0.50	2	(8) .88	8.00	7.25	13.50	11.75
60.00	63.50	66.00	(36) .62	30.00	0.50	0.50	3	(8) .88	8.00	7.25	13.50	11.75
72.00	75.50	78.00	(48) .62	36.00	0.50	0.50	3	(8) .88	8.00	7.25	13.50	11.75

GENERAL TOLERANCES	
UNLESS OTHERWISE SPECIFIED THE FOLLOWING SHALL APPLY	
MACHINING	±.004 ±.002 ±.001 ANGLE ±.50°
SURFACE ROUGHNESS HEIGHT 63 MICRONS OR LESS	
FABRICATION	UNDER 6 6 TO 24 24 TO 60 OVER 60
	±.06 ±.12 ±.19 ±.25
UNLESS OTHERWISE SPECIFIED DIMENSIONS ARE IN INCHES	

3			
2			
1			
REV. NO.	DESCRIPTION	DATE	BY
REVISIONS			
CUSTOMER			
CUST. NO.			
YOUNG ORDER NO.			
TITLE			
45° SILENT FLOW BIN DISCHARGER			
INDUSTRIES, INC. MUNCY, PENNSYLVANIA 17756 TELEPHONE: 570-546-3165			
Drawn By	JAH	SCALE	NTS
CHECKED BY		DATE	03/28/06
DRAWING NUMBER	D-20175-00.00		