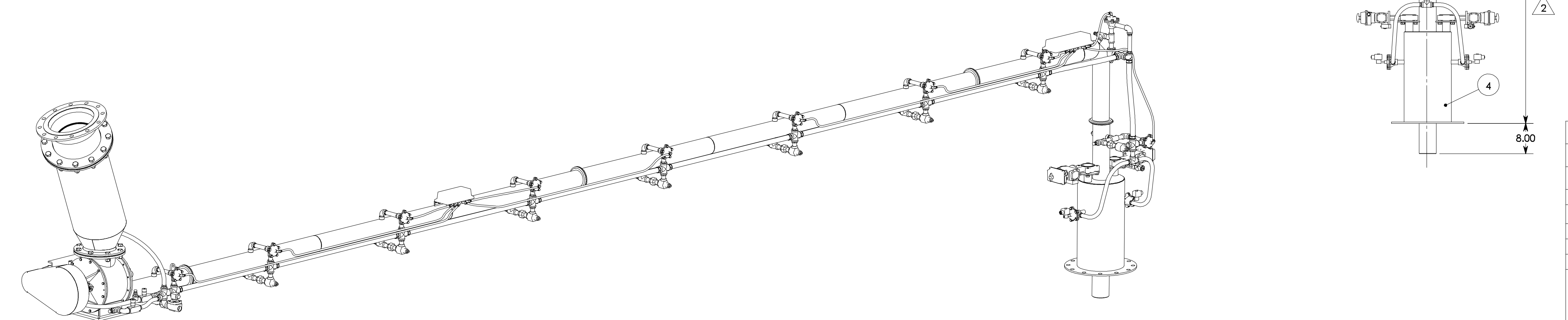
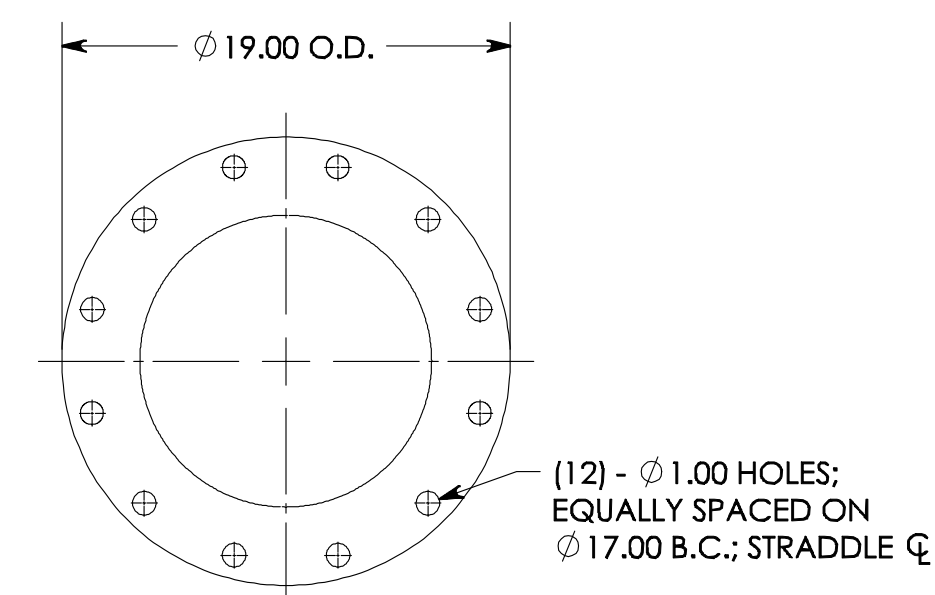
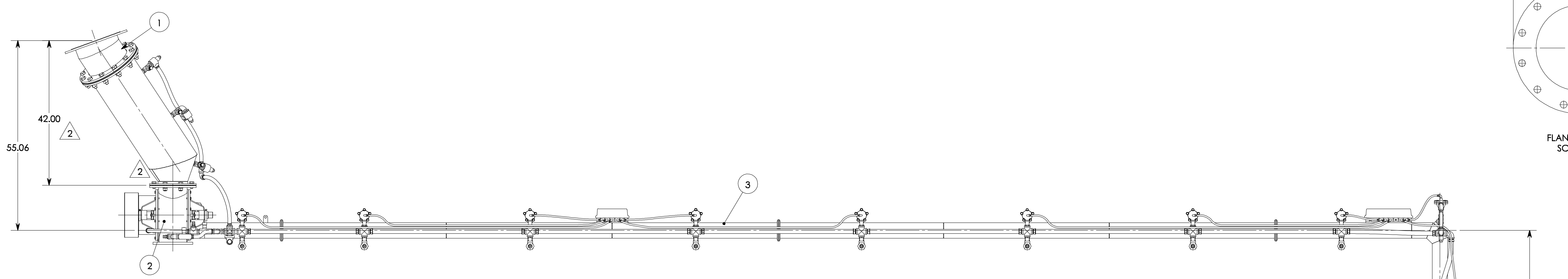
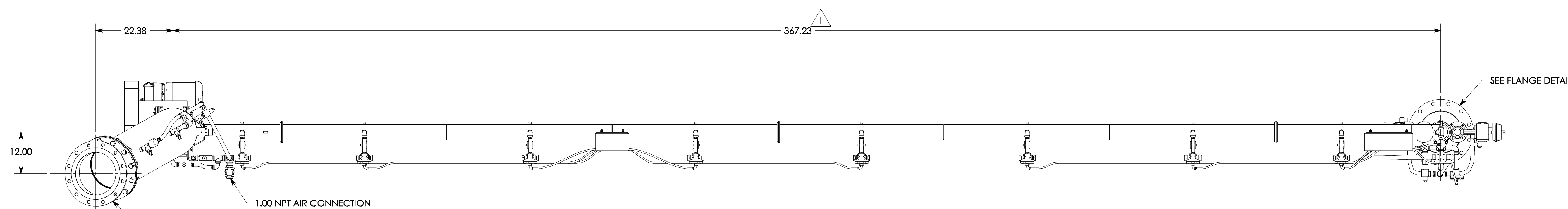


ITEM NO.	QTY.	PART NO.
1	1	Assembly, Inlet chute (1.5250)
2	1	Assembly, BTS rotary valve, Size 8X3 - with drive (1.5250)
3	1	Assembly, Stinger, Size 3 (1.5250)
4	1	Assembly, Bulk bag filling station inlet (1.5250)



REV. NO.	DESCRIPTION	DATE	BY
3			
2	RVSD ELEVATIONS	03/04/04	AEB
1	367.00 WAS 328.00	02/09/04	AEB

REVISIONS

CUSTOMER CABOT CANADA
 CUST. NO. 9987 OP
 YOUNG ORDER NO. 15250

TITLE

GENERAL ARRANGEMENT:
 STINGER FEEDER LOADING SYSTEM



GENERAL TOLERANCES	
UNLESS OTHERWISE SPECIFIED THE FOLLOWING SHALL APPLY	
MACHINING	±.002 ±.003 ±.005 ANGLE= .50°
SURFACE ROUGHNESS HEIGHT 63 MICROINCHES OR LESS	
FABRICATION	UNDER 6 ±.06 ±.12 ±.19 ±.25
OVER 6 ±.06 ±.12 ±.19 ±.25	
UNLESS OTHERWISE SPECIFIED DIMENSIONS ARE IN INCHES	

Drawn By AEB SCALE 1:16
 CHECKED BY DATE 01/09/04
 DRAWING NUMBER D-20137-00.02