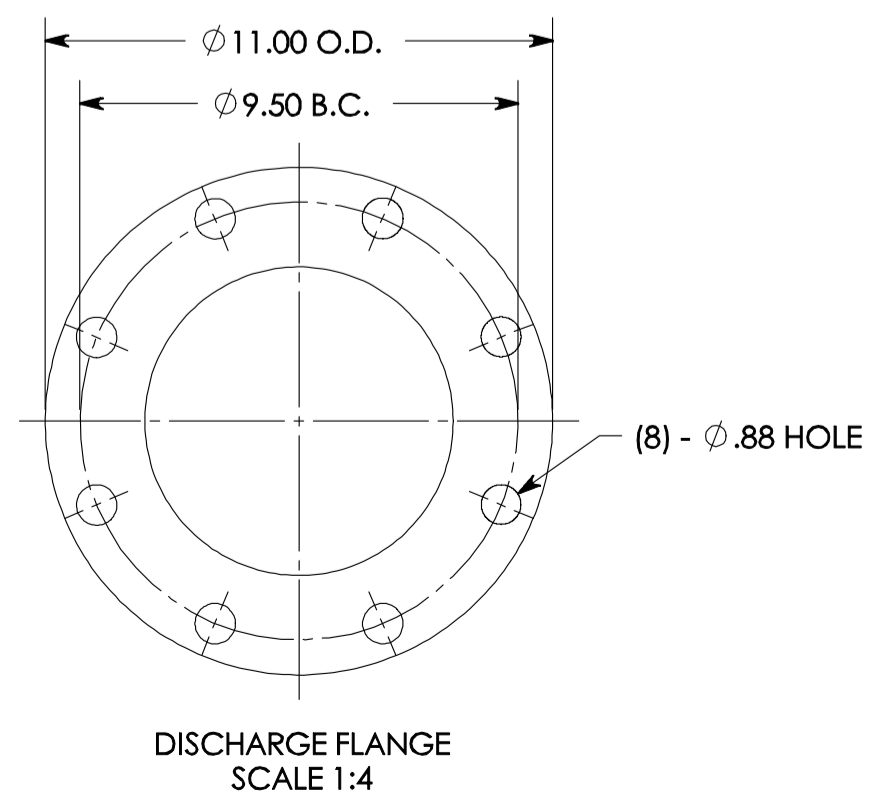
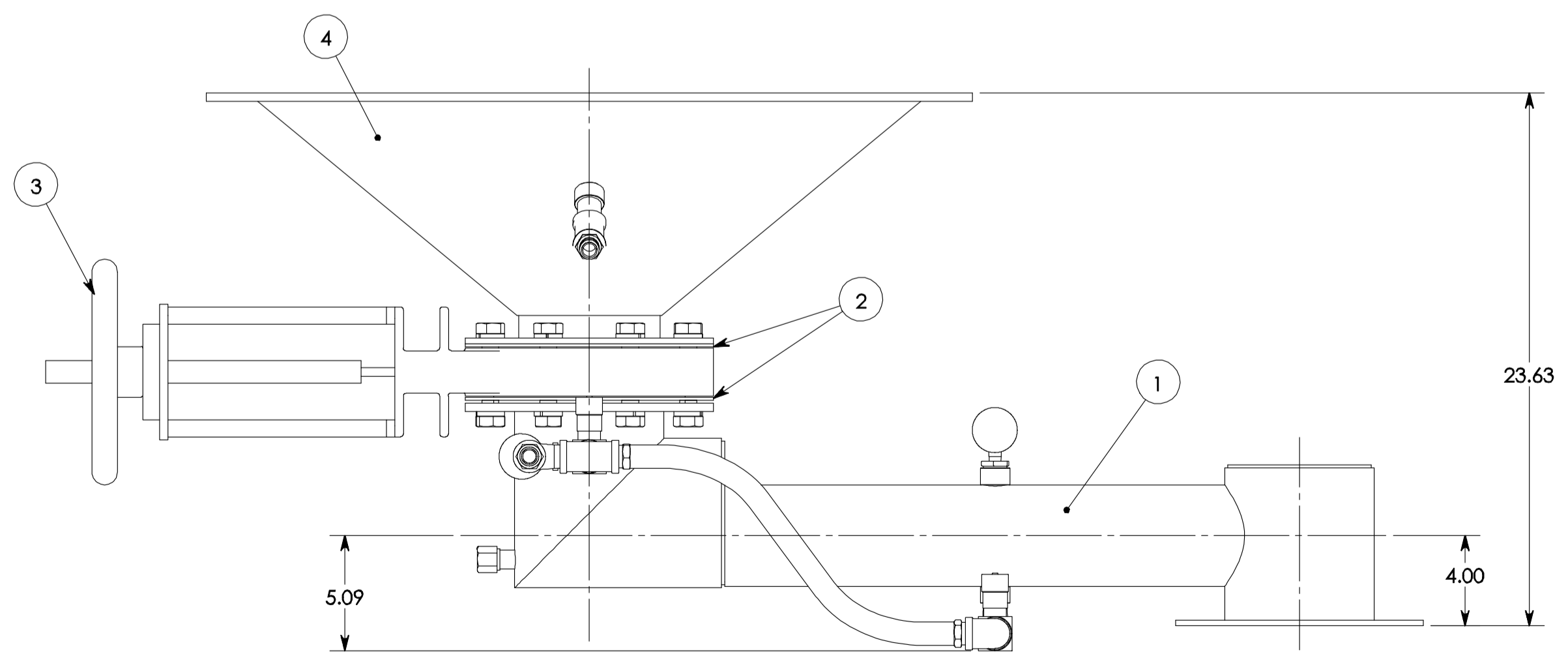
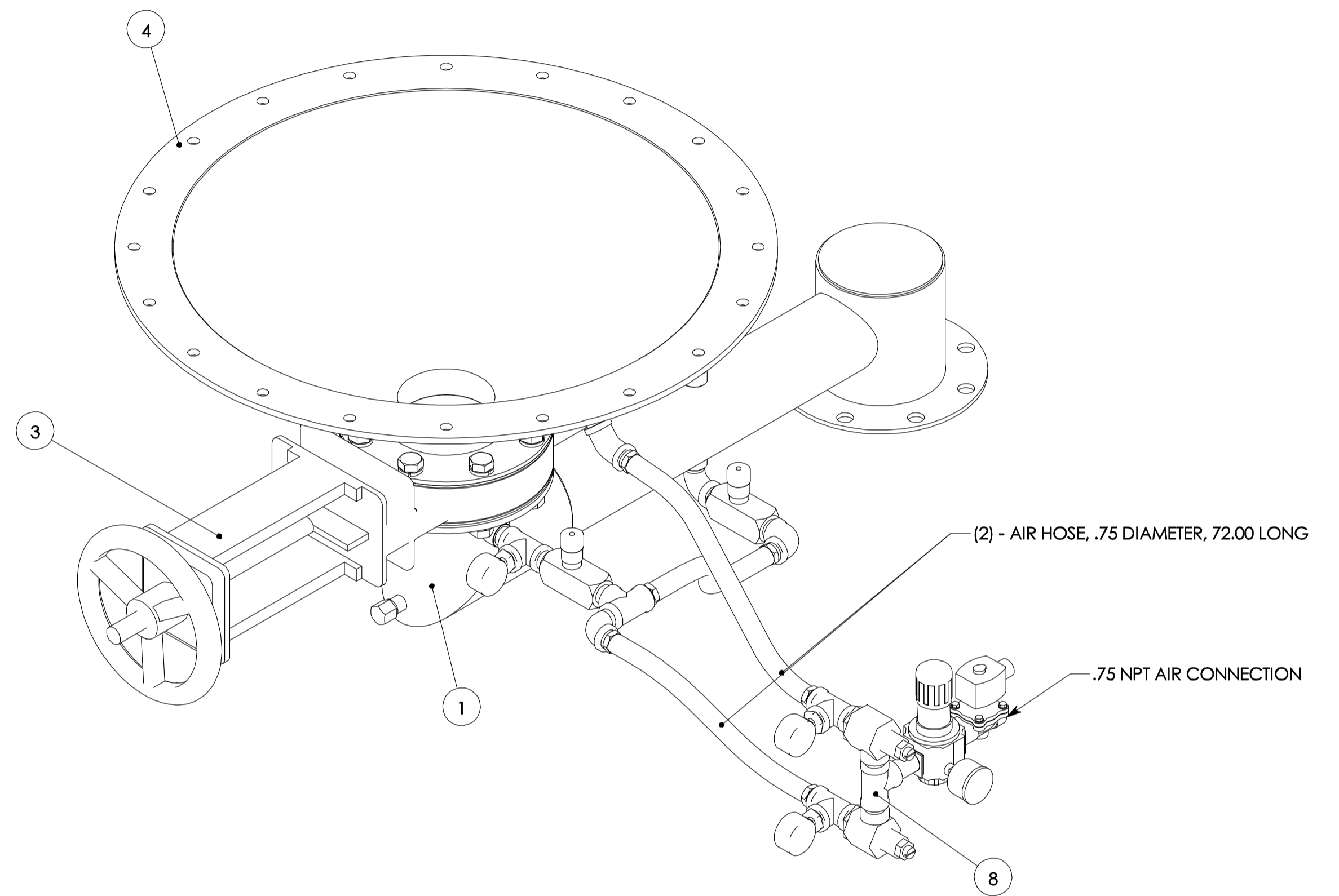
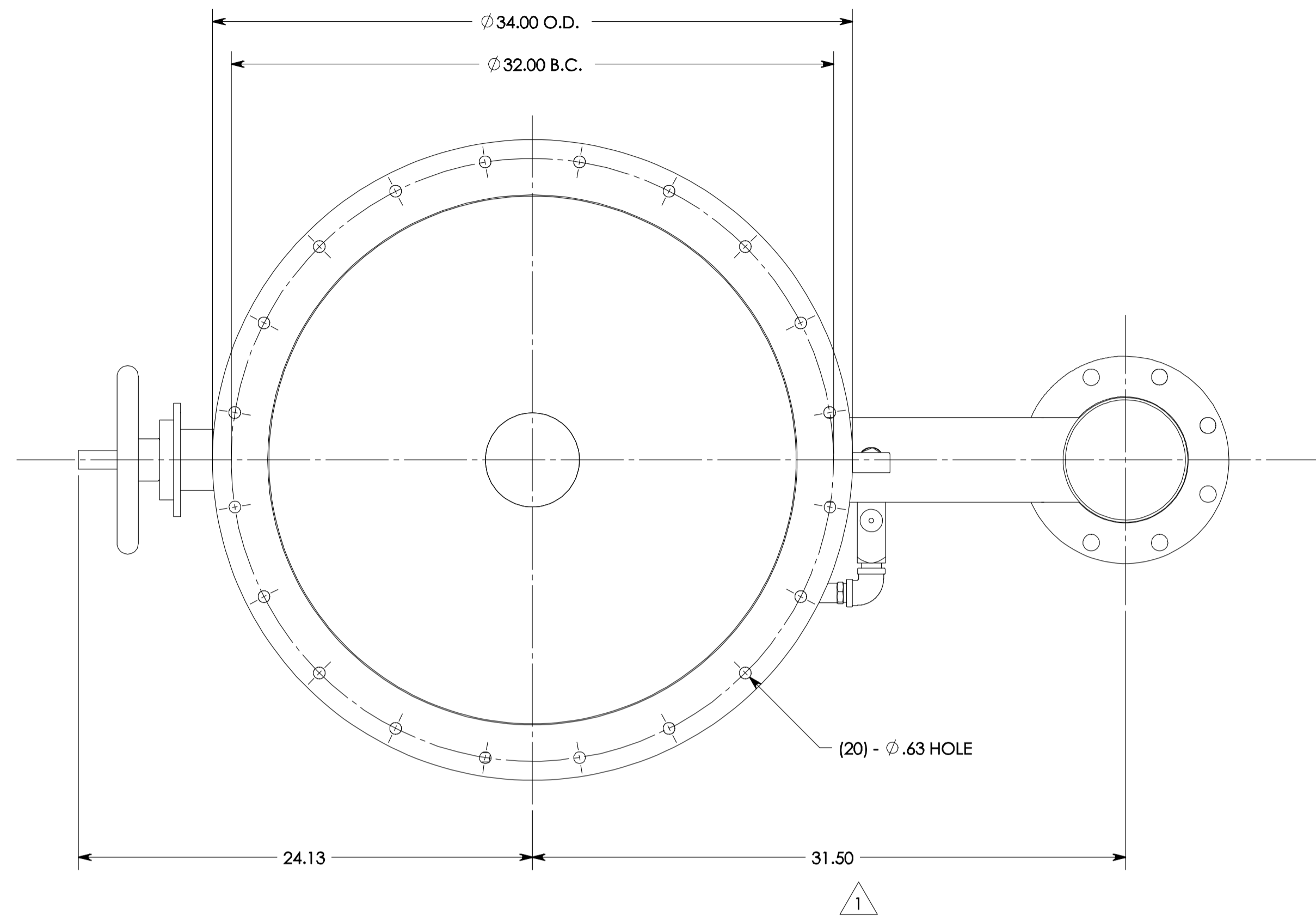


ITEM NO.	QTY.	PART NO.
1	1	Stinger loader, size 6x3, horizontal (14926)
2	2	Gasket, .25 thick, 6 NPS, 150# class bolting
3	1	Knife gate, DeZurik, Size 6, handwheel actuator
4	1	Inlet hopper, 28 round x 6 round (14926)
8	1	Assembly, Air supply (14926)



GENERAL TOLERANCES	
UNLESS OTHERWISE SPECIFIED THE FOLLOWING SHALL APPLY	
MACHINING	.XX = .02 .XXX = .005 ANGLE = .50°
SURFACE ROUGHNESS HEIGHT 63 MICROINCHES OR LESS	
FABRICATION	UNDER 6 6 TO 24 24 TO 60 OVER 60
	± .06 ± .12 ± .19 ± .25
UNLESS OTHERWISE SPECIFIED DIMENSIONS ARE IN INCHES	

REV. NO.	DESCRIPTION	DATE	BY
3			
2			
1	CHANGED CONDITIONING HOPPER TO ROUND; 31.50 WAS 31.75	10/07/02	AEB

REVISIONS

CUSTOMER: Corning Incorporated  
CUST. NO.: EM-132270-R  
YOUNG ORDER NO.: 14926  
TITLE: GENERAL ASSEMBLY: STINGER LOADER, SIZE 6X3 WITH CONDITIONING HOPPER (DISPAL SCREENER)



Drawn By: AEB	SCALE: 3:16
CHECKED BY:	DATE: 09/12/02

DRAWING NUMBER: D-20077-01.01